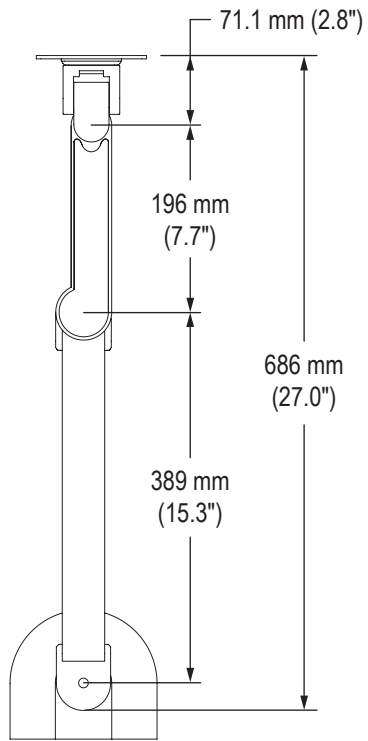
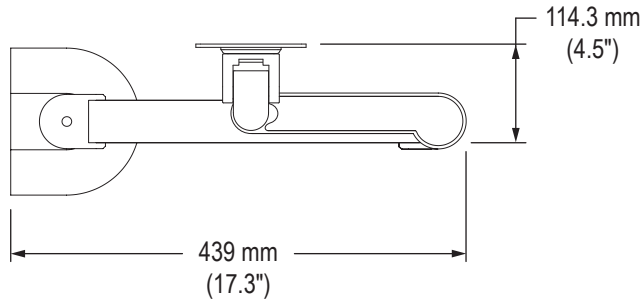


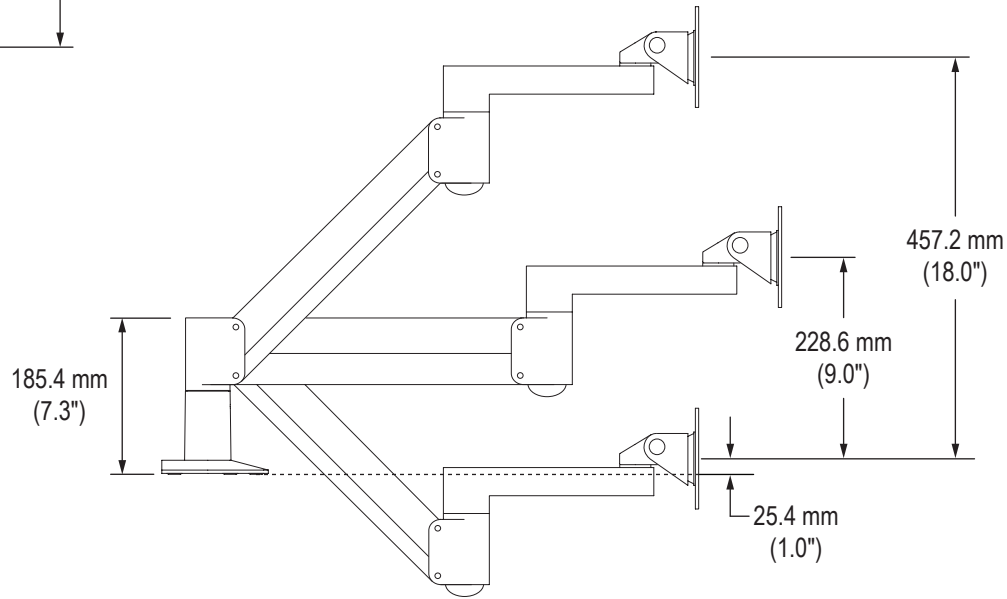
Top View (Extended)



Top View (Folded)



Side View (showing Vertical Range)



Mounting Options

