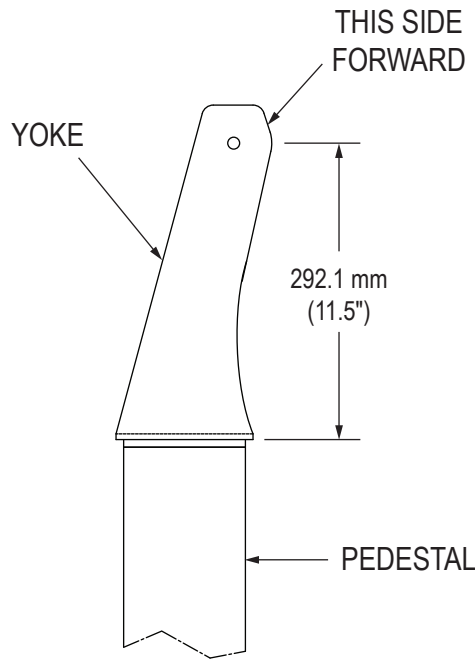
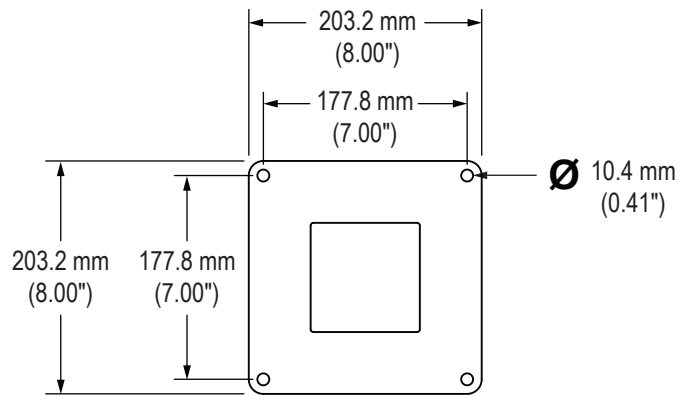


# 15/17" MODEL

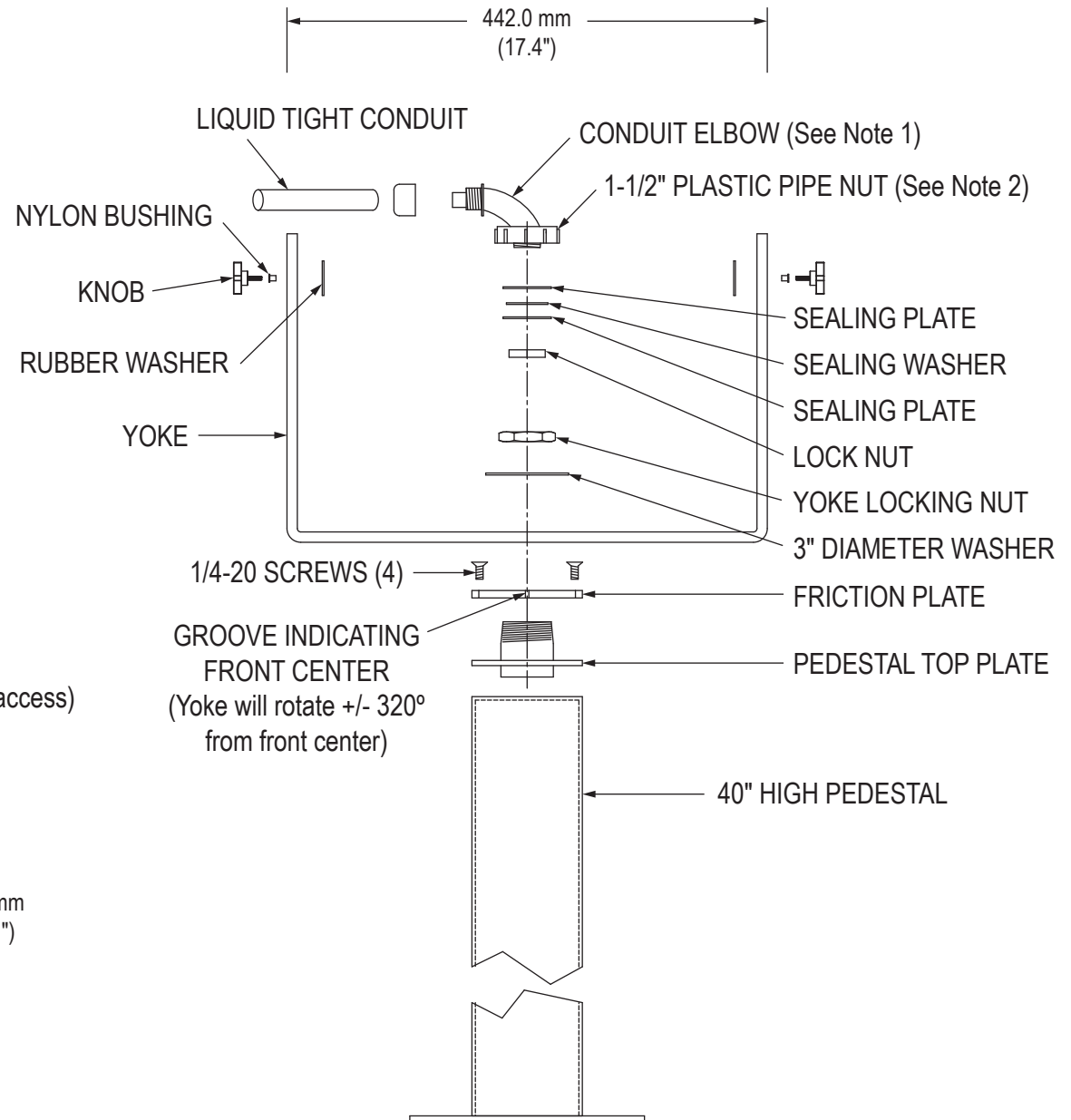
## Side View



## Pedestal Plate (in bottom of Pedestal for hidden cable access)



## Front View



Mechanical Drawing – Yoke and Pedestal Mount

© 2025



**Hope Industrial Systems, Inc.**

Toll Free: (877) 762-9790 · International: +1 (678) 762-9790  
 UK: +44 (0) 20 7193-2618 · E-mail: support@HopeIndustrial.com

Part Number: PED4X4 series

Revision:

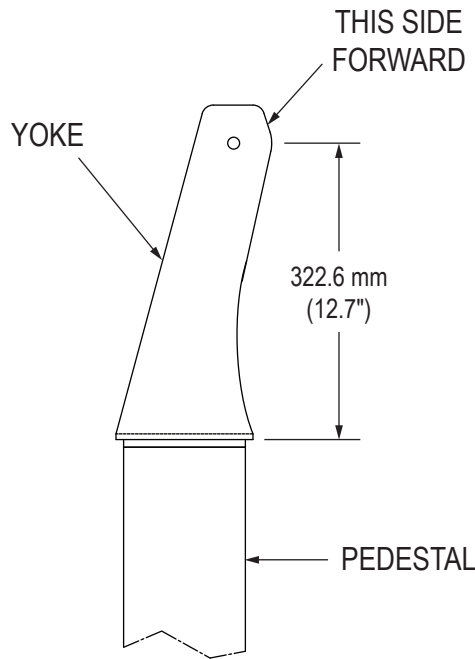
Date: 2024.11.27

Page 1 of 10

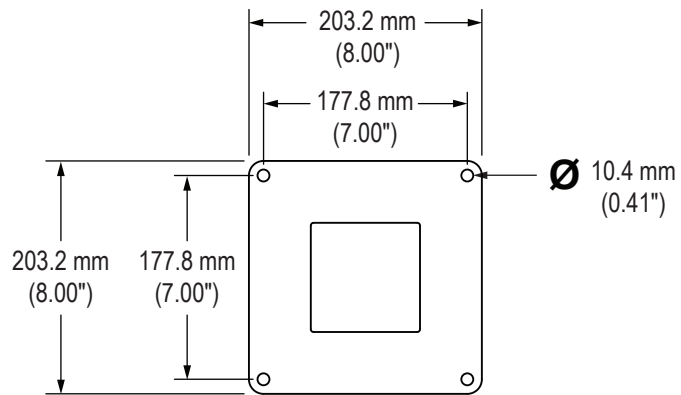
NOTES: 1) Position Conduit Elbow as shown for freedom of movement of Flexible Conduit.  
 2) Tighten Plastic Pipe Nut after positioning Conduit Elbow.

# 19" MODEL

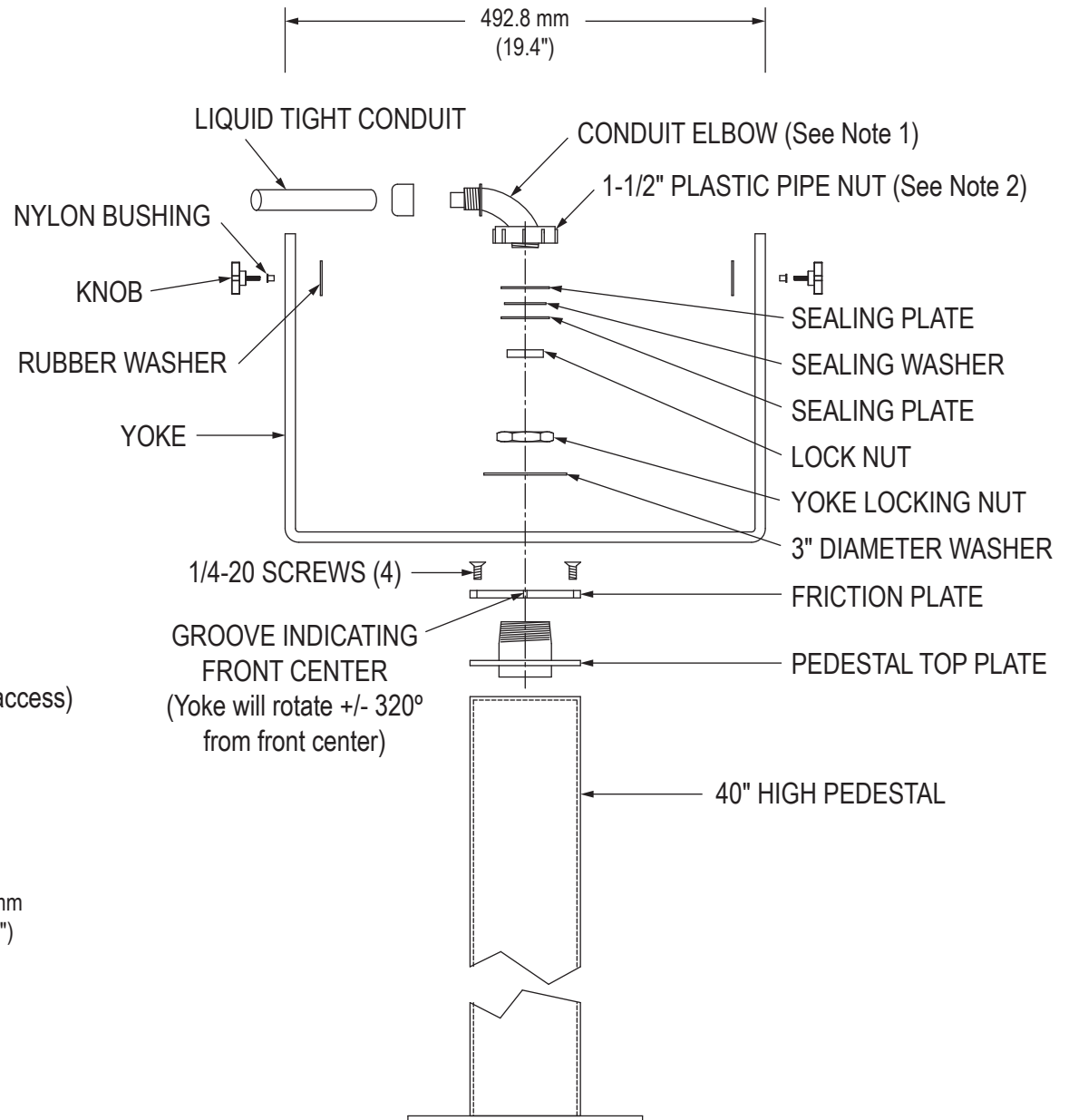
## Side View



## Pedestal Plate (in bottom of Pedestal for hidden cable access)

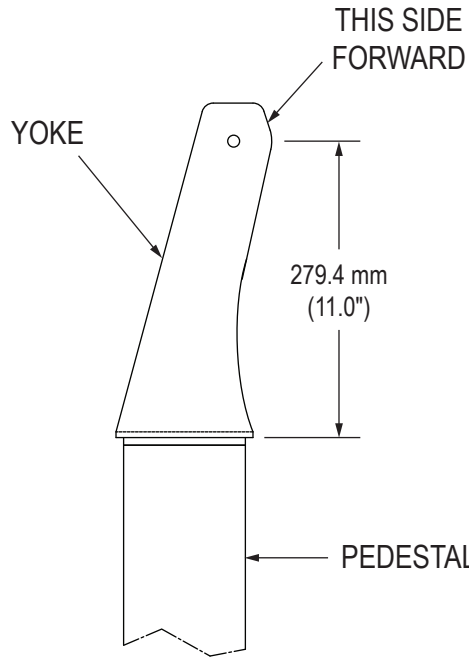


## Front View

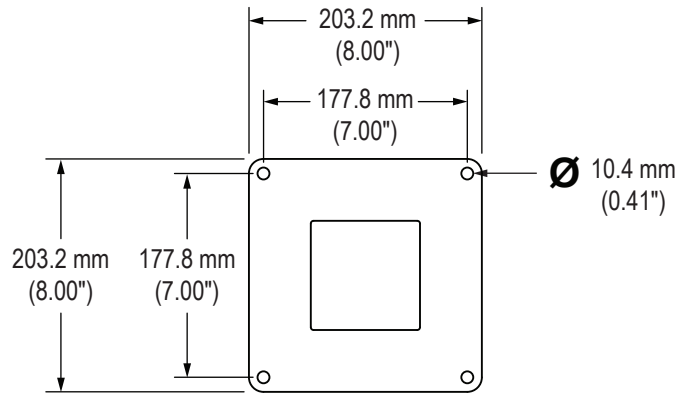


# 19.5" MODEL

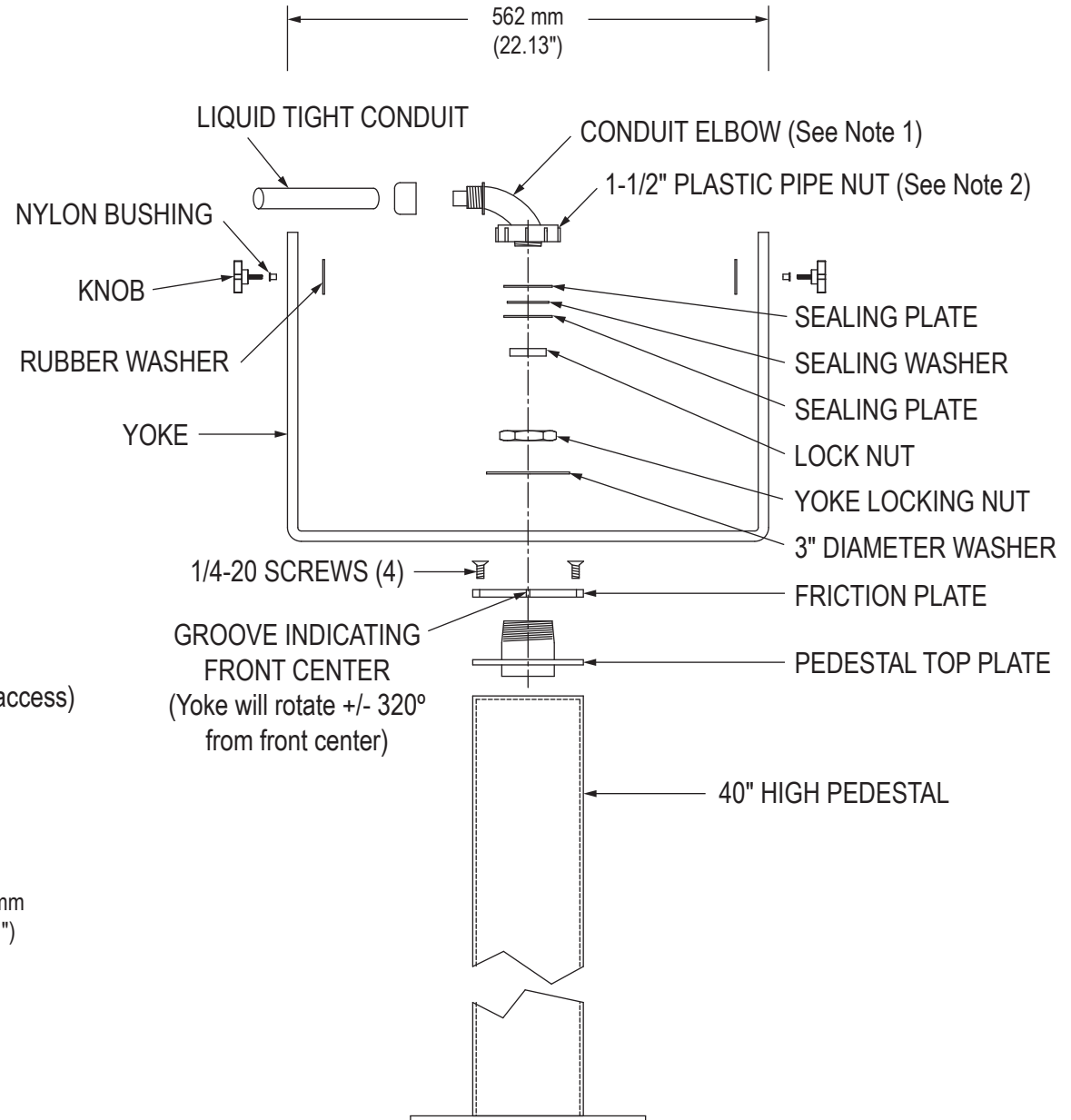
## Side View



## Pedestal Plate (in bottom of Pedestal for hidden cable access)

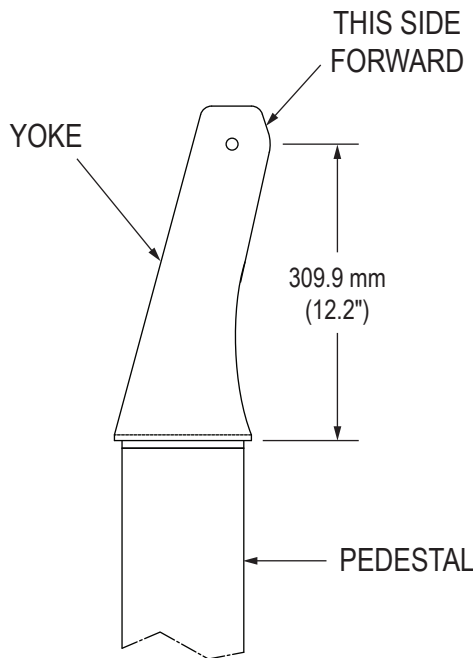


## Front View

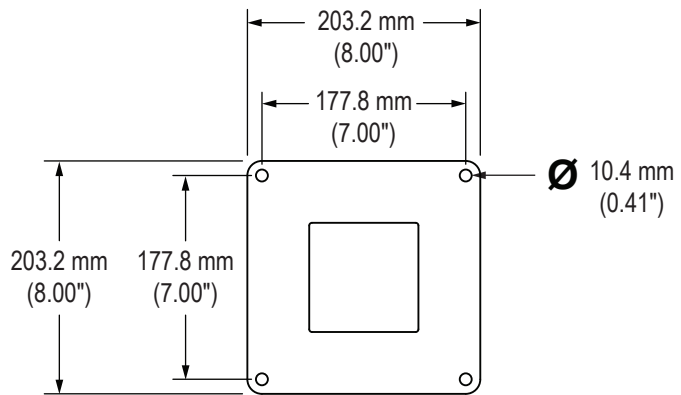


# 22" MODEL

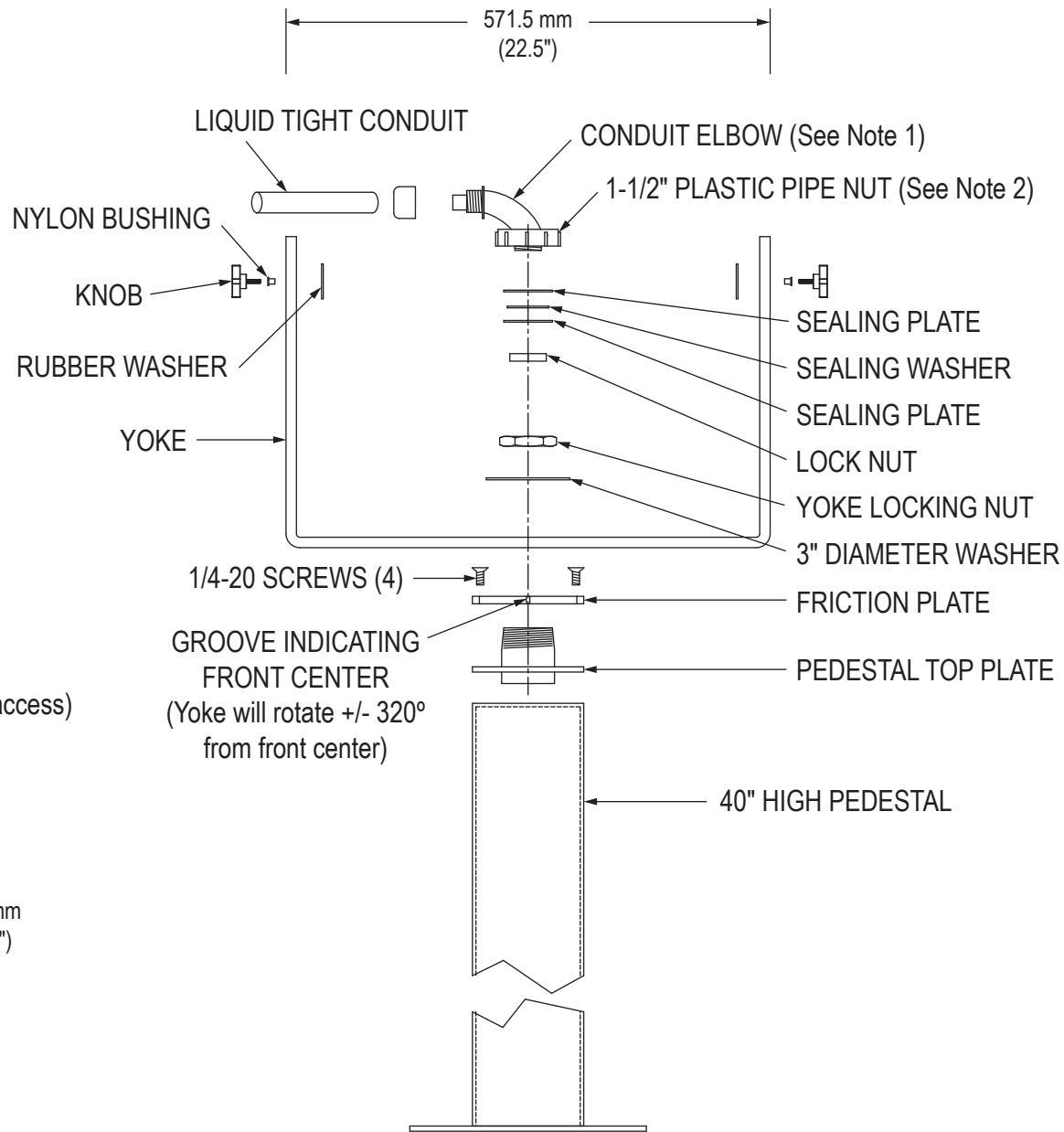
## Side View



## Pedestal Plate (in bottom of Pedestal for hidden cable access)



## Front View



Mechanical Drawing – Yoke and Pedestal Mount

© 2025



Hope Industrial Systems, Inc.

Toll Free: (877) 762-9790 · International: +1 (678) 762-9790  
 UK: +44 (0) 20 7193-2618 · E-mail: support@HopeIndustrial.com

Part Number: PED4X4 series

Revision:

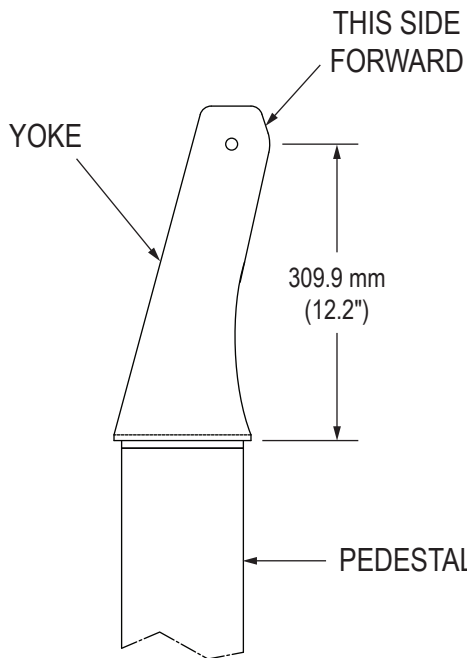
Date: 2024.11.27

Page 4 of 10

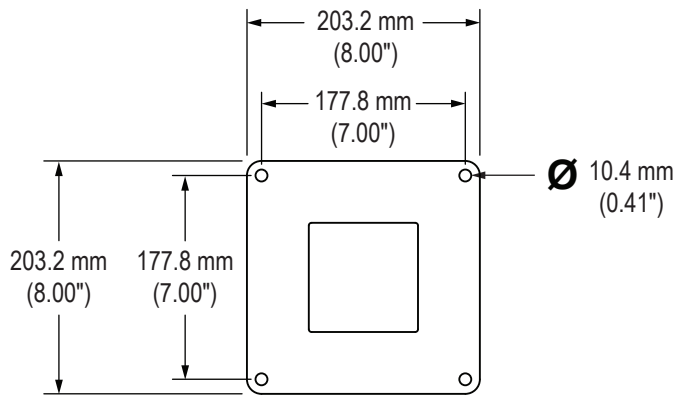
NOTES: 1) Position Conduit Elbow as shown for freedom of movement of Flexible Conduit.  
 2) Tighten Plastic Pipe Nut after positioning Conduit Elbow.

# 23.8" MODEL

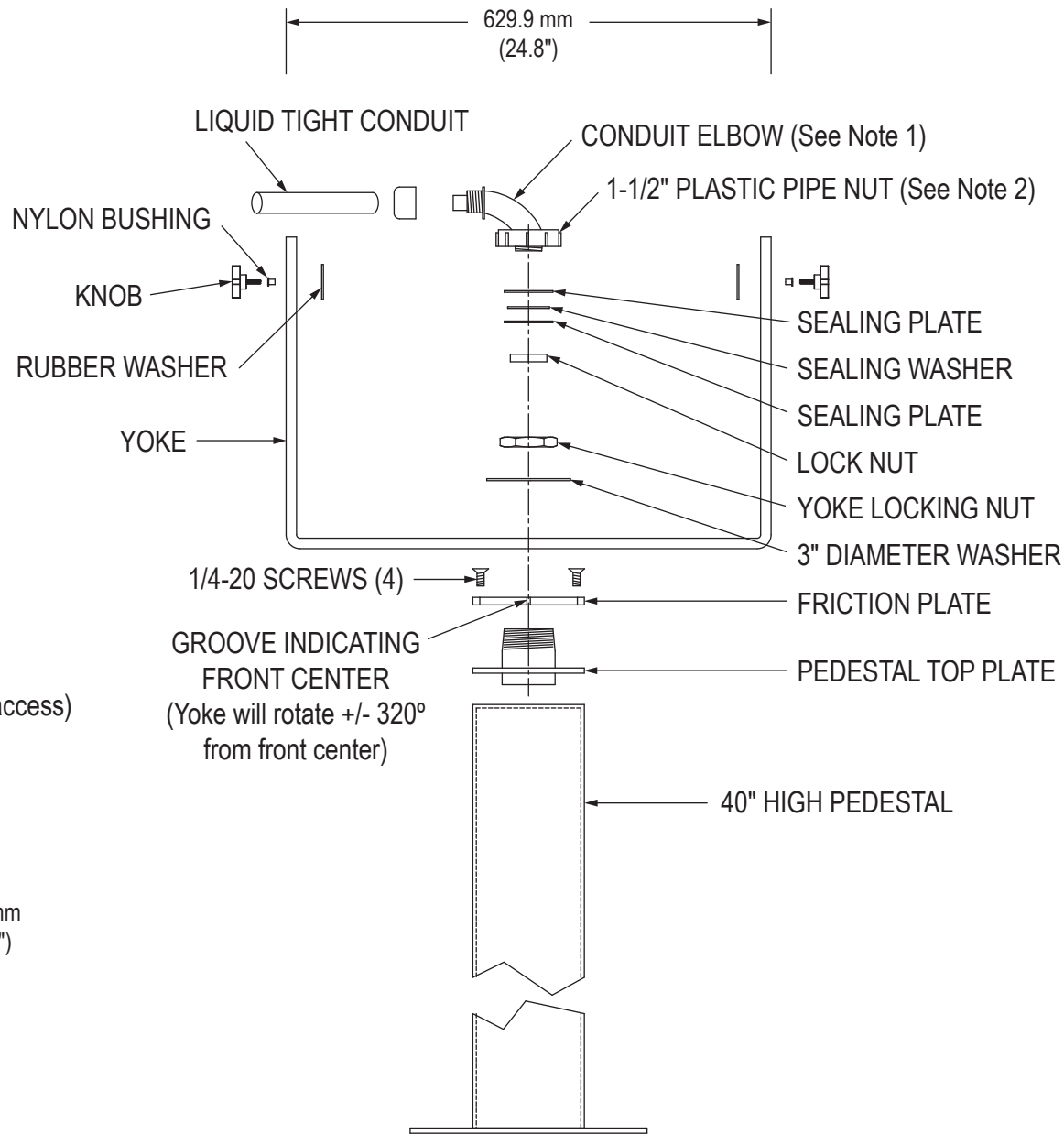
## Side View



## Pedestal Plate (in bottom of Pedestal for hidden cable access)



## Front View



Mechanical Drawing – Yoke and Pedestal Mount

© 2025



Hope Industrial Systems, Inc.

Toll Free: (877) 762-9790 · International: +1 (678) 762-9790  
 UK: +44 (0) 20 7193-2618 · E-mail: support@HopeIndustrial.com

Part Number: PED4X4 series

Revision:

Date: 2024.11.27

Page 5 of 10

NOTES: 1) Position Conduit Elbow as shown for freedom of movement of Flexible Conduit.  
 2) Tighten Plastic Pipe Nut after positioning Conduit Elbow.

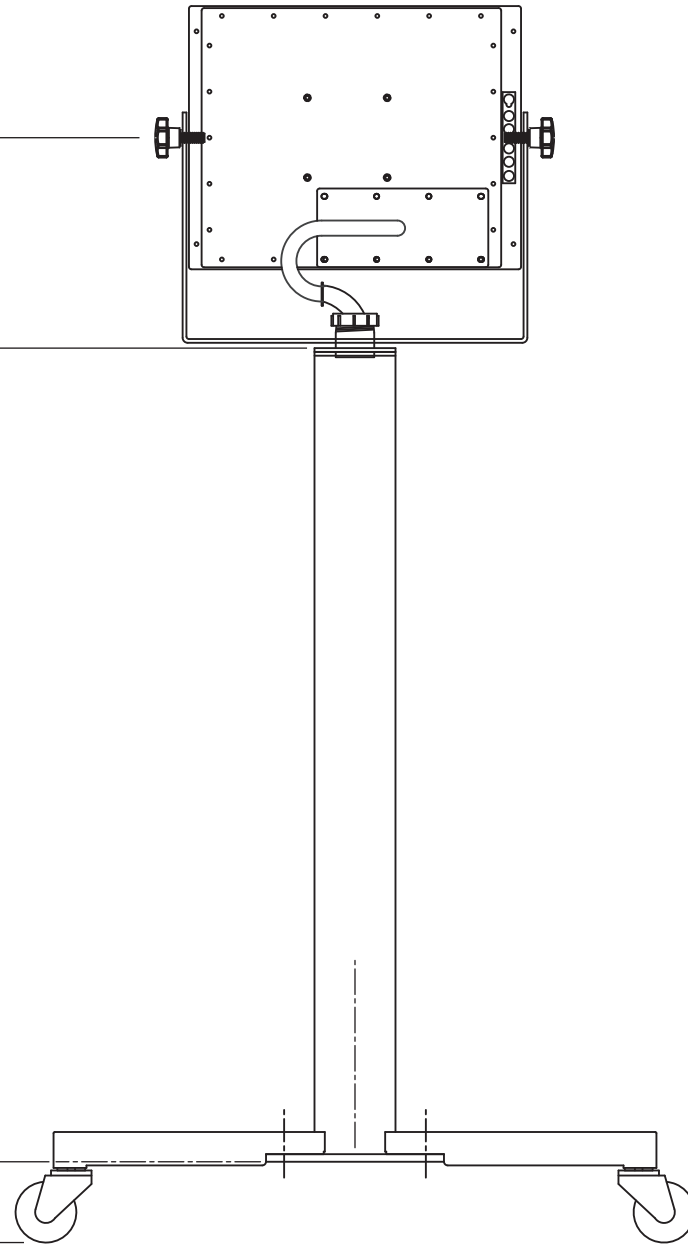
# MOBL4X4-CSTR-XX FLOOR STAND (OPTIONAL)

## Full Workstation

- 292 mm (11.5") for YB1517
- 322.6 mm (12.7") for YB19
- 279.4 mm (11.0") for YB19.5
- 309.9 mm (12.2") for YB22
- 309.9 mm (12.2") for YB23.8

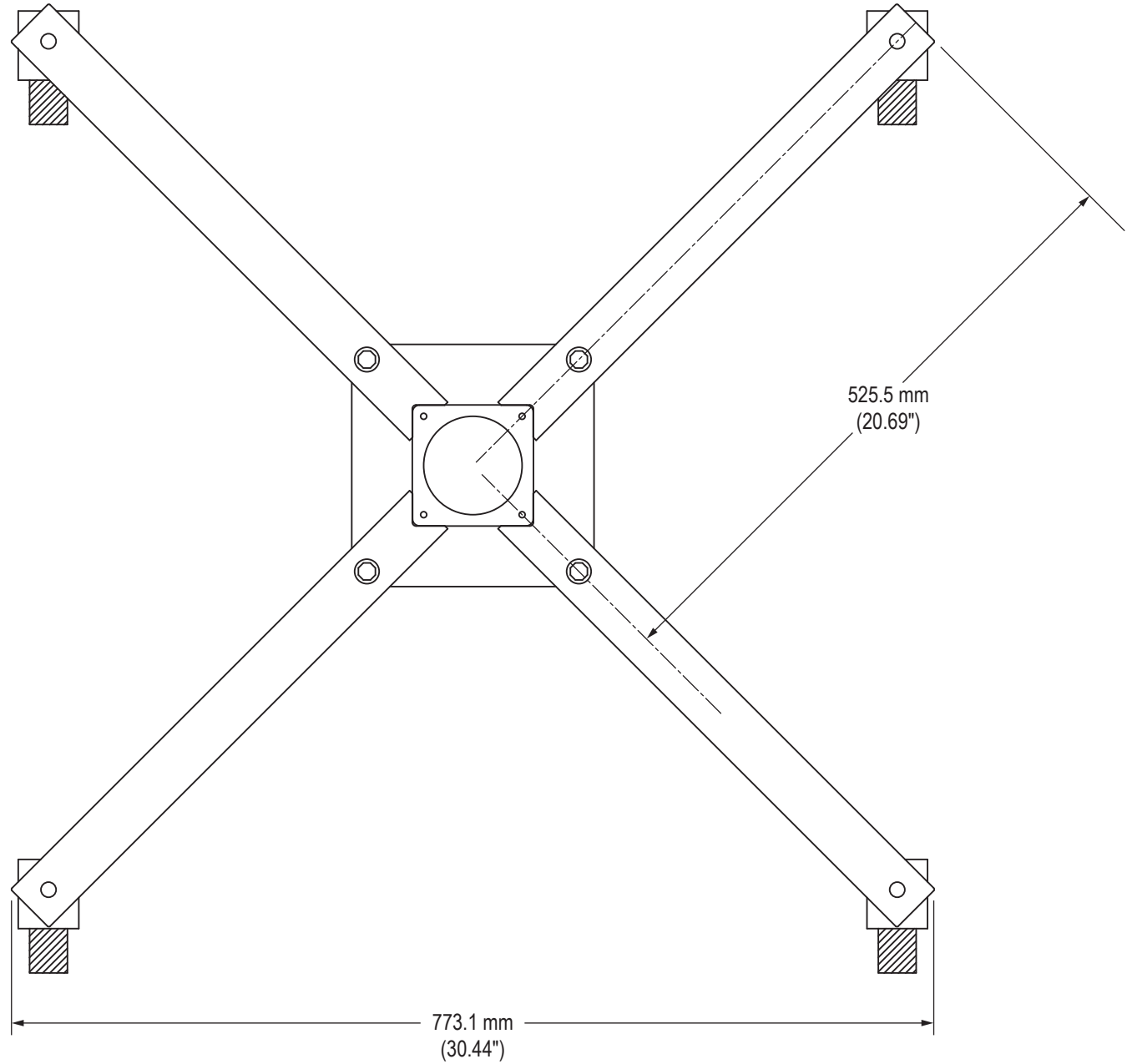
1016 mm  
(40.00")

101.3 mm (4.0")  
(Extra height created  
by caster wheels)



# MOBL4X4-CSTR-XX FLOOR STAND (OPTIONAL)

Top View



Mechanical Drawing – Yoke and Pedestal Mount

© 2025



Hope Industrial Systems, Inc.  
Toll Free: (877) 762-9790 · International: +1 (678) 762-9790  
UK: +44 (0) 20 7193-2618 · E-mail: support@HopelIndustrial.com

Part Number: PED4X4 series

Revision:

Date: 2024.11.27

Page 7 of 10

NOTES:

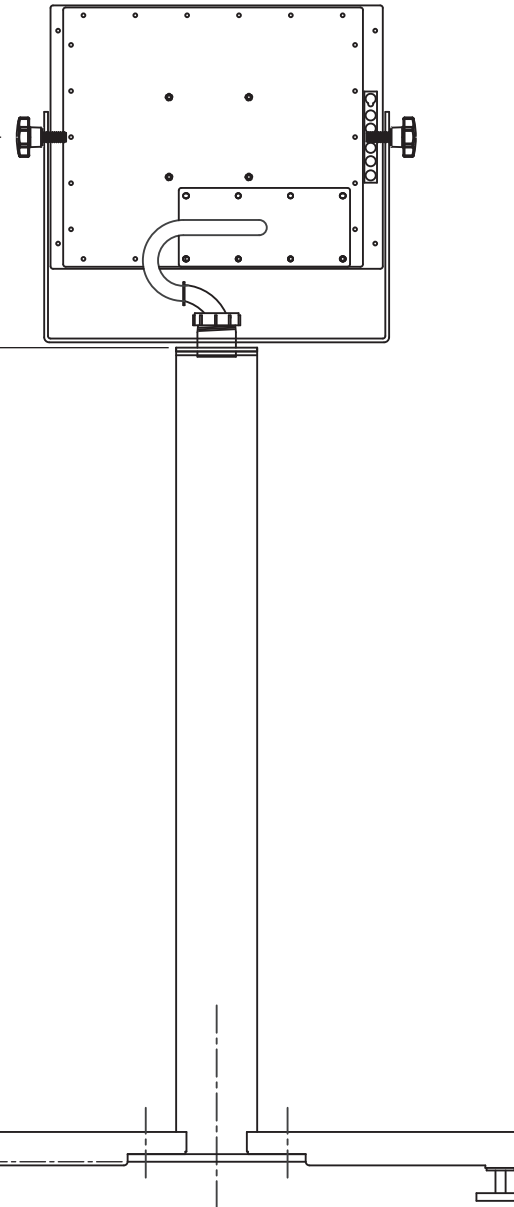
# MOBL4X4-FIXD-XX FLOOR STAND (OPTIONAL)

## Full Workstation

- 292 mm (11.5") for YB1517
- 322.6 mm (12.7") for YB19
- 279.4 mm (11.0") for YB19.5
- 309.9 mm (12.2") for YB22
- 309.9 mm (12.2") for YB23.8

1016 mm  
(40.00")

38 mm to 64 mm (1.5" to 2.5")  
(Extra height created by feet)



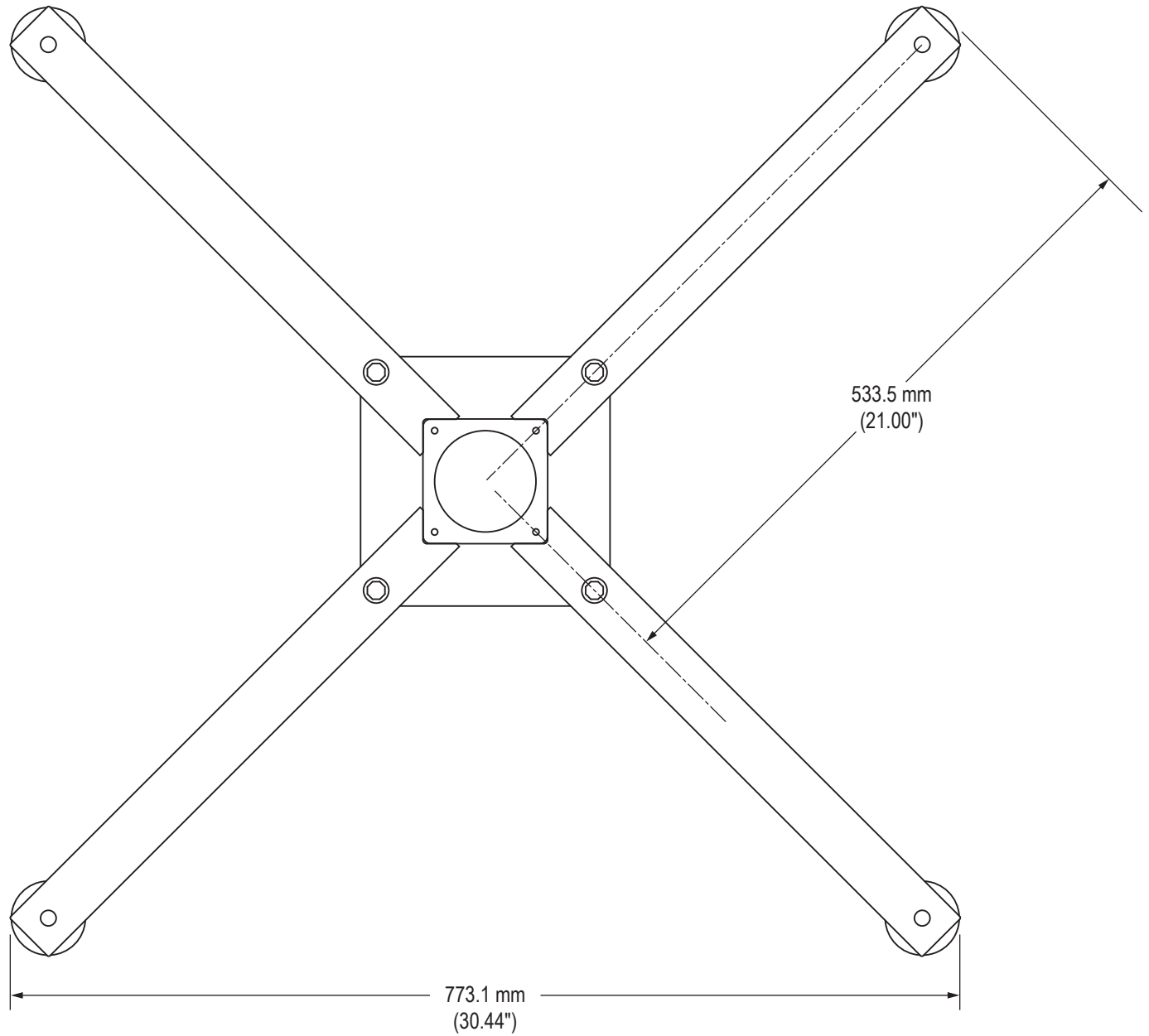
Mechanical Drawing – Yoke and Pedestal Mount





# MOBL4X4-FIXD-XX FLOOR STAND (OPTIONAL)

Top View



Mechanical Drawing – Yoke and Pedestal Mount

© 2025



Hope Industrial Systems, Inc.  
Toll Free: (877) 762-9790 · International: +1 (678) 762-9790  
UK: +44 (0) 20 7193-2618 · E-mail: support@HopeIndustrial.com

Part Number: PED4X4 series

Revision:

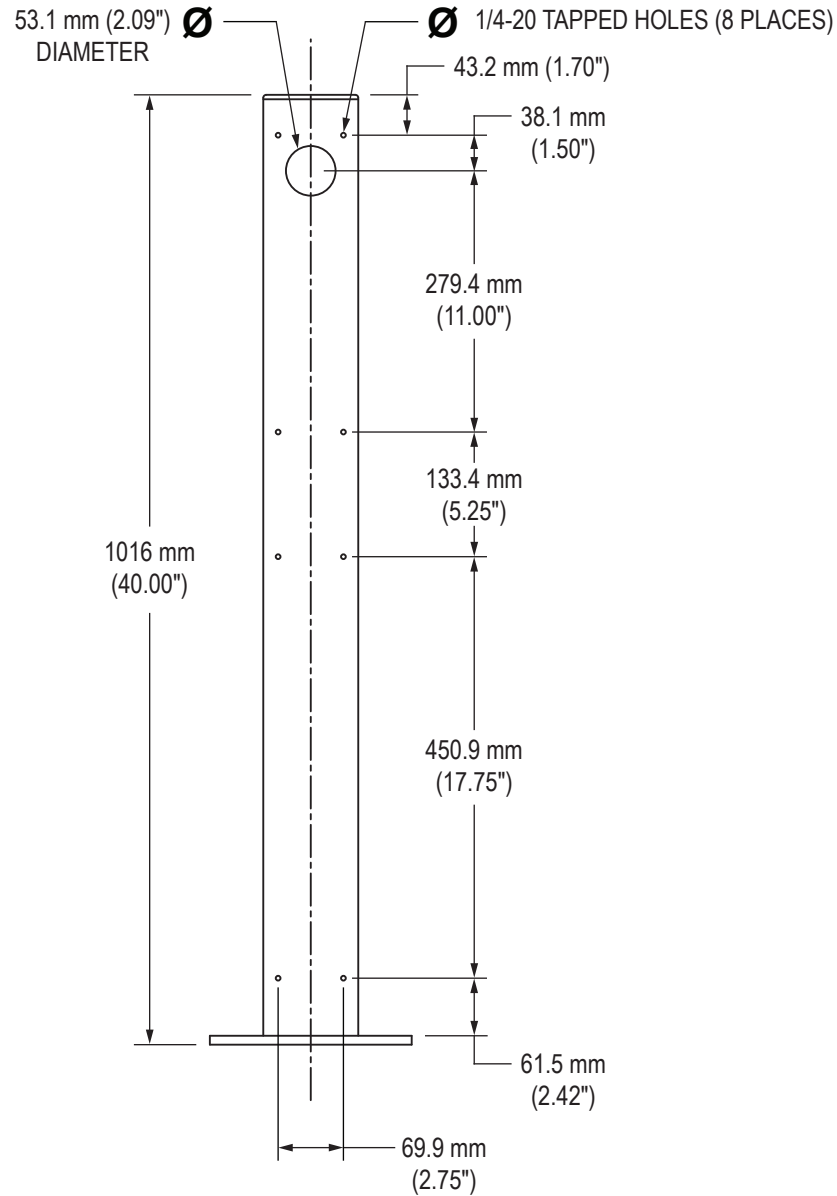
Date: 2024.11.27

Page 9 of 10

NOTES:

# PED4X4-XX-40-H4 PEDESTAL WITH MOUNTING HOLES FOR ENCLOSURES

Front View



Mechanical Drawing – Yoke and Pedestal Mount

© 2025



Hope Industrial Systems, Inc.  
 Toll Free: (877) 762-9790 · International: +1 (678) 762-9790  
 UK: +44 (0) 20 7193-2618 · E-mail: support@HopeIndustrial.com

Part Number: PED4X4 series

Date: 2024.11.27

NOTES:

Revision:

Page 10 of 10