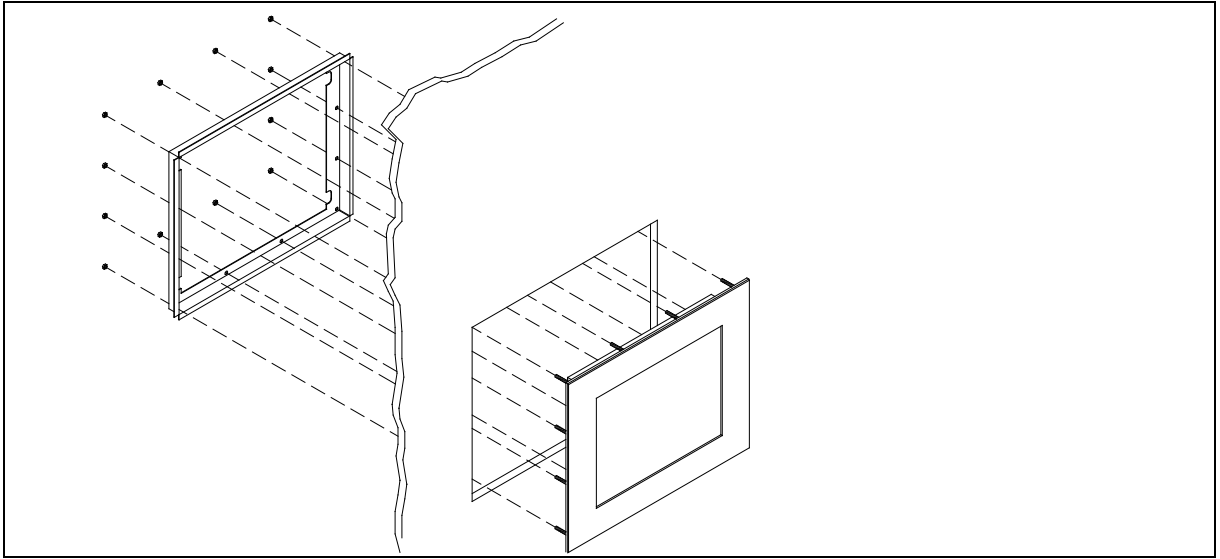


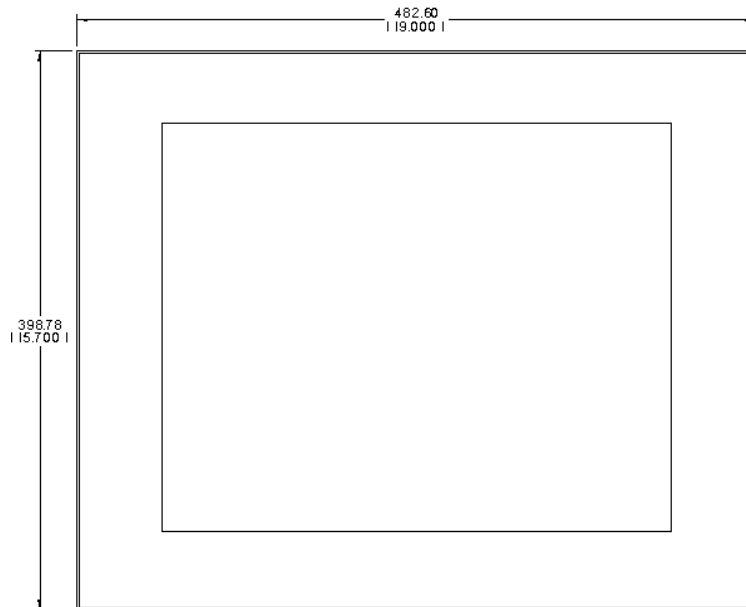
# Envelope Drawings

## HIS ML19 Panel Mount Industrial LCD Monitor

### Enclosure Mounting Diagram



### Front Views



**Bottom and Rear View (Showing Cutout Dimensions)**

