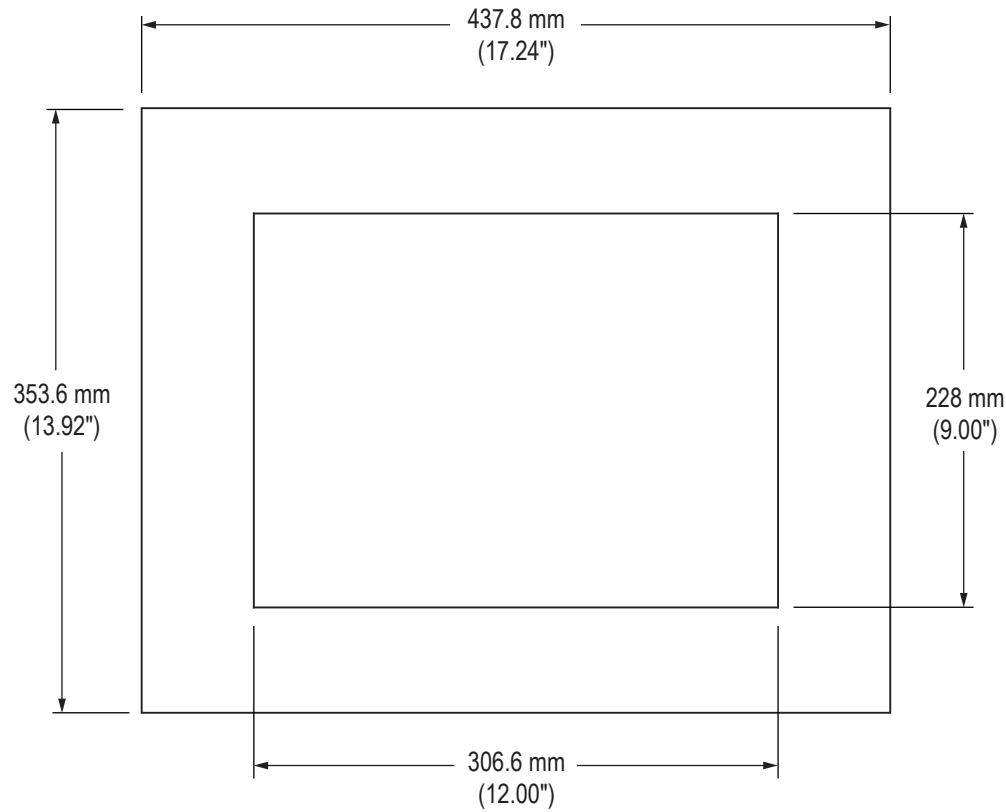
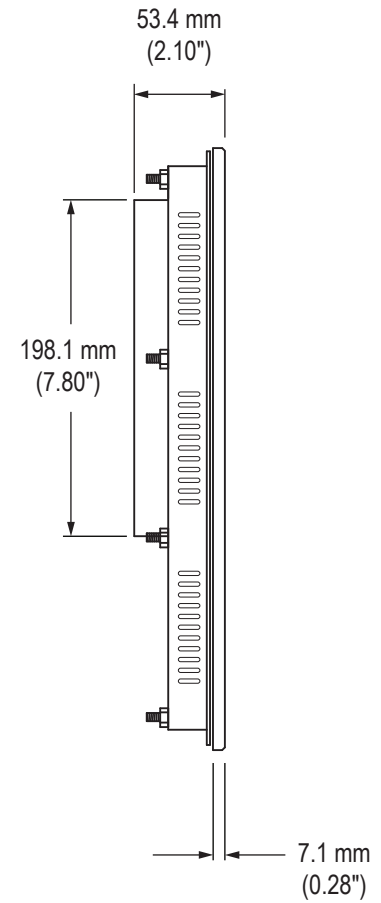


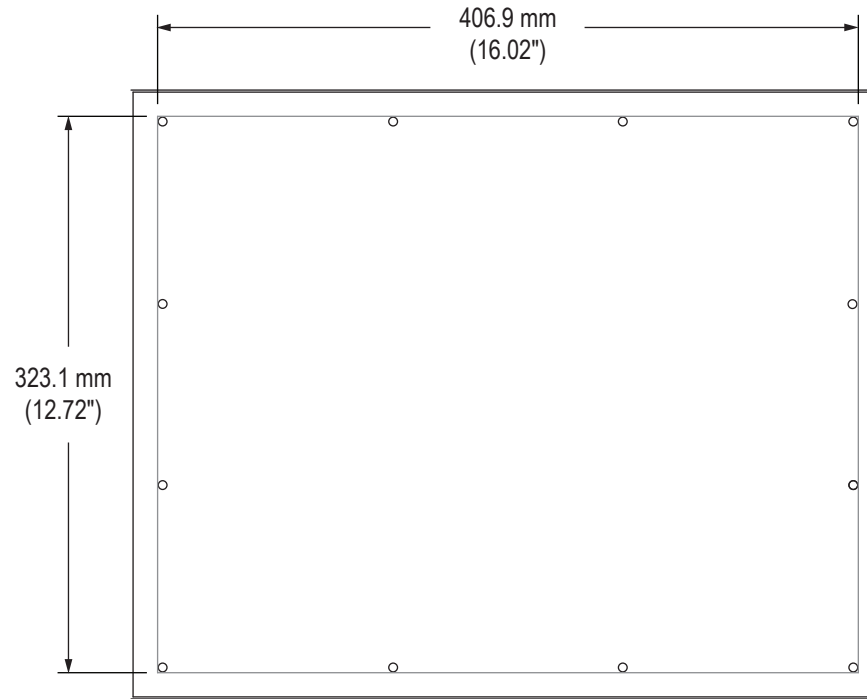
Front View



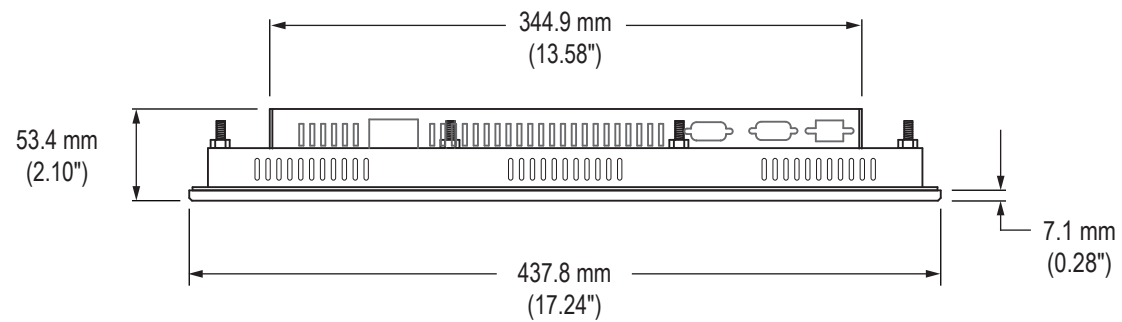
Side View



### Rear View (showing Cutout Dimensions)

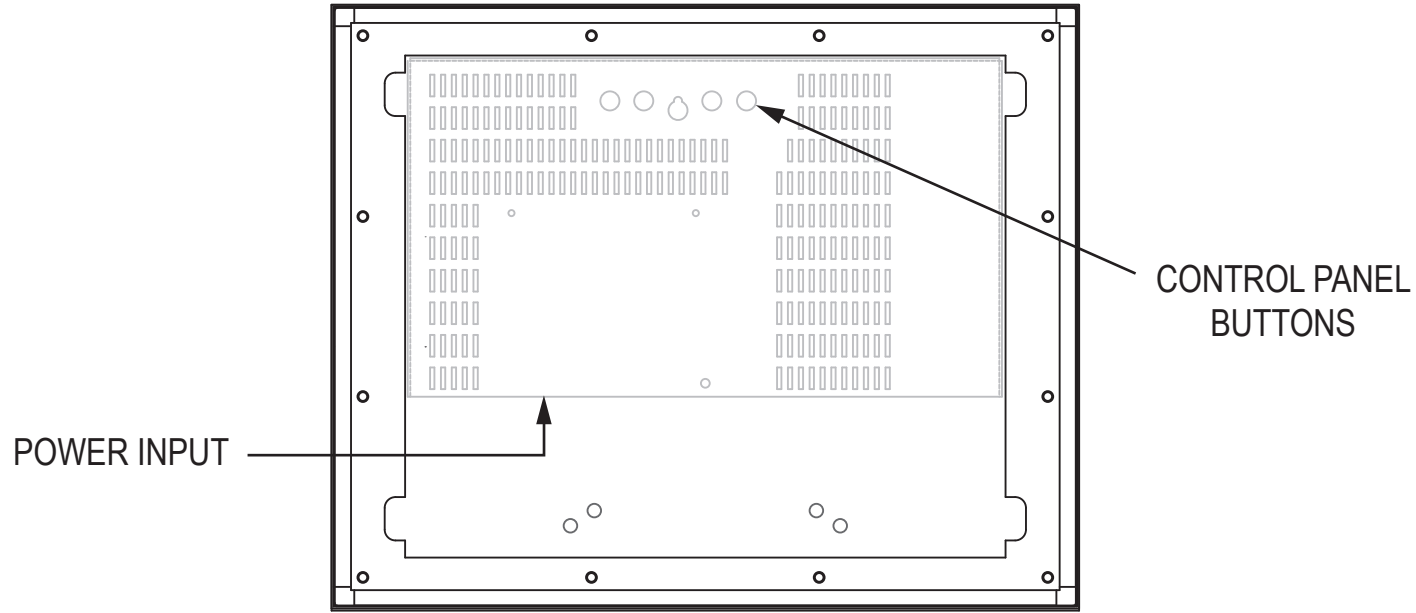


### Bottom View



### Cable Connections

#### Rear View



#### Bottom View

